

Northwest division:
Centura Building Systems Ltd.
 460 Fraser View Place
 Delta, BC, V3M 6H4
 CANADA
 T:604.522.4980
 F:604.522.1604
 Toll-free 1.866.378.2288

Southwest division:
**Lakeview Building Systems Inc. &
 Lakewood Building Systems Inc.**
 205 16th Street
 San Diego, CA, 92101
 USA
 T:619.531.0693
 F:619.531.0697
 Toll-free 1.866.378.2288

Visit us at www.niradia.com

Mission Statement

- To provide clients with complete, functional solutions utilizing all the proven construction methods while incorporating advanced and innovative techniques.
- To be a valuable team-member, to bring the project on budget, and on time

Products & Services

- Prefabricated architectural and structural building panels
- Rain screen stucco systems
- Structural and miscellaneous steel detailing and fabrications
- Light gauge structural framing
- Batt and rigid insulation
- Demountable partitions
- Metal linear ceilings
- Acoustic ceilings
- Drywall

Thin-Shell Concrete Panels

Innovative, Versatile Exterior Panels

This simple yet unique technology brings together two well known materials to form the most economical cladding solution while producing structures of superior quality. This technique combines a thin-shell of conventional concrete reinforced by embedded stainless steel frame connected to concrete with stainless steel anchors. The factory built panels eliminate the need to scaffold the building exterior and can be rapidly installed even in adverse weather conditions.



Panels on truck ready for hoisting and installation

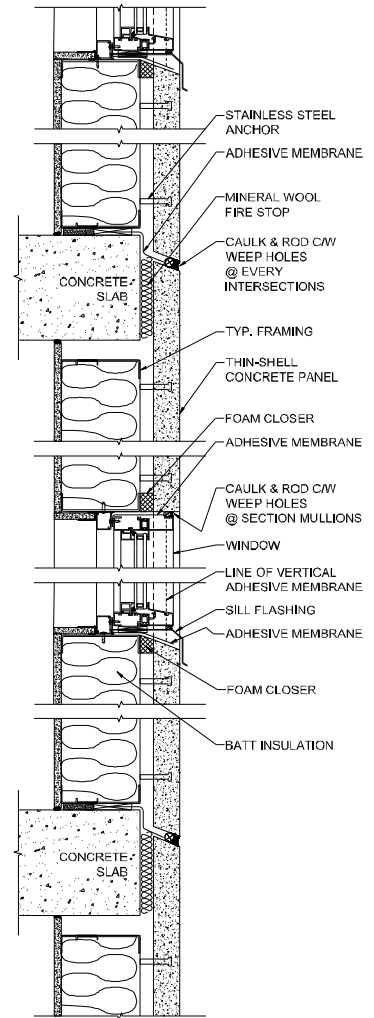
Some of the advantages of this innovative system:

- Light weight, (35-40 psf), reducing the superimposed loads and eliminating the need
- Non-combustible with 2-hour UL rating.

for expensive embedded hardware.

- Skin is separated from framing to eliminate thermal bridging and reduce condensation.
- Cavity between skin and framing can be equipped with air-vapor barrier to form effective rain screen.
- Batt insulation and wiring ready to fit in integrated stud cavity.

- Patterns and surface textures, colors, and decorative aggregate can be achieved. Different shapes can be used in many number of forms.



Thin-Shell Wall Section



One Pacific Tower, Seattle, WA, USA



Streetcar, Portland, OR, USA. Full height and spandrel panels.



Westin Hotel, Portland, OR, USA. Full height panels with windows preinstalled.